



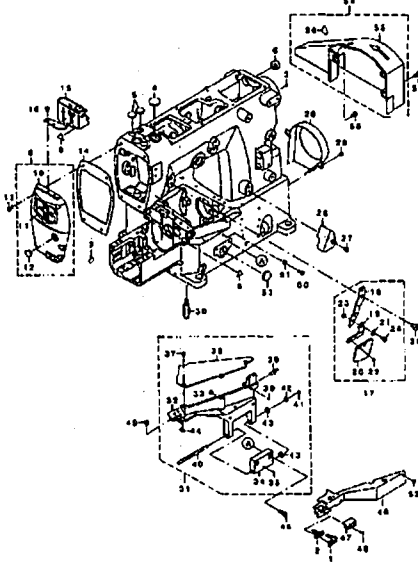
High-speed, Cylinder-bed Coverstitch Machine

MF-7800 Series

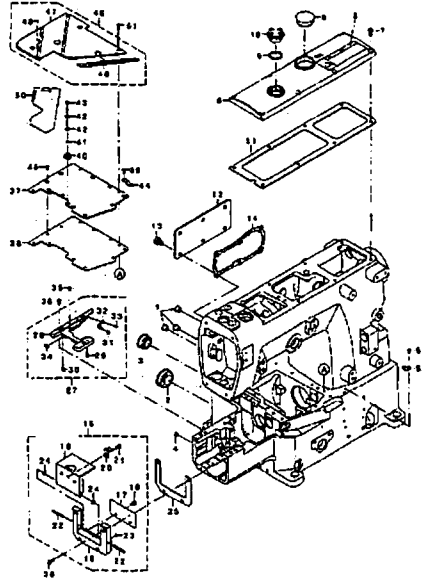
PARTS LIST

13450002
No.1379-00

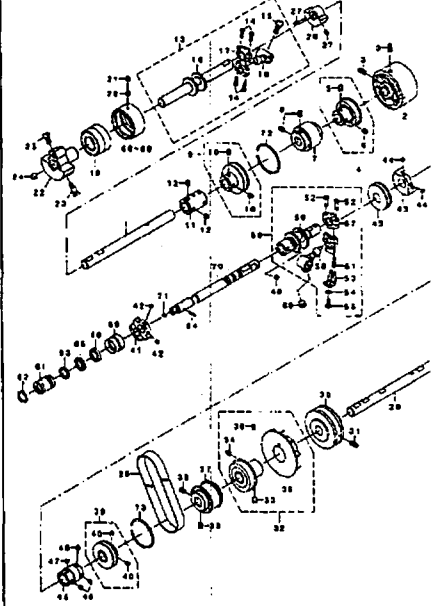
1. FRAME & MISCELLANEOUS COVER COMPONENTS (1)



2. FRAME & MISCELLANEOUS COVER COMPONENTS (2)



3. MAIN SHAFT COMPONENTS



REF. NO	QTY	PART NO.	DESCRIPTION	QTY
1	#02	134-29007	COVERING BOARD R	1
2	#02	134-28100	COVERING BOARD L	1
3		SM-8040412-TP	SCREW M4 L=6	3
4		TA-2050408-R0	RUBBER PLUG	1
5		TA-1520409-R0	RUBBER PLUG	2
6		TA-1010407-R0	RUBBER PLUG	1
7		220-01805	GROUND WARE	1
8		CM-1002006-01	ATTENTION SEAL	2
9		133-00558	SEWING BELT COVER	1
10		133-07900	BEAM COVER	(1)
11		220-02506	FAKE PLATE	(1)
12		TA-1952601-R0	RUBBER PLUG	(1)
13		SM-4041835-SP	SCREW	4
14		133-01207	GASKET II	1
15		134-01308	SEWING PAIL BOARD	2
16		SM-4040255-SP	SCREW M4 L=6	2
17		133-01759	PROTECTIVE SHIELD ASSY	1
18		133-01502	BRACKET WOLDER	(1)
19		133-01201	BRACKET	(1)
20		133-01100	PROTECTIVE SHIELD	(1)
21		VZ-0041510-LP	WAVED WASHER 6.4X11X0.3	(1)
22		SM-1030455-SP	SCREW	(2)
23		SM-0080001-SP	SPY WASH 7	(3)
24		SM-0040240-SP	RIGHT SCREW 0-0.35 R=2.4	(1)
25		SM-0000200-SP	SCREW M4 L=6	1
26		133-01403	THIRD COVER	1
27		SM-4040065-SP	SCREW M4 L=6	3
28		133-02401	LMS PAN COVER	1
29		SM-4040058-SP	SCREW M4 L=6	2
30		133-01804	SUPPORT STAND	4
31		134-00057	SWING DOWN COVER ASSY	1
32		134-00008	SWING DOWN COVER	(1)
33		133-02302	RUBBER BOWSER	(1)
34		134-01203	HUMP	(1)
35		SM-8040304-TP	SCREW	(1)
36		134-01805	CLOTH PLATE FRONT	(1)
37		SM-1040880-SP	SCREW	(1)
38		134-02706	PIR THD COVER	(1)
39		SM-8040380-TP	SCREW	(1)
40		134-03504	PIR PAN S.D COVER	(1)
41		SM-0200000-R0	E-RING 3	(1)
42		VF-0200820-SP	WASHER S.SX10X0.8	(1)
43		133-02708	RUBBER WASHER	(2)
44		134-03605	RUBBER PLATE	(1)
45		SM-0201200-SP	SCREW	2
46		134-07001	BRACKET	(1)
47		134-01101	BRACKET	1
48	#01	SM-0050500-SP	SCREW M2X0.5 L=6	2
49		SL-0100805-SC	SLIPER	2
50		SM-0041055-SP	SCREW	1
51		SM-0040001-SP	SPR WIND 7	1
52		133-02302	RUBBER BUMPER	1
53		TA-1900407-R0	RUBBER PLUG	1
54		133-02053	DRIVING BELT COVER ASSY	(1)
55		133-02050	DRIVING BELT COVER	(1)
56		SM-2002000-R1	CAUTION LABEL (1)	(1)
57		SM-4051255-SP	SCREW M5 T=12	2
58		SM-4050855-SP	SCREW	1

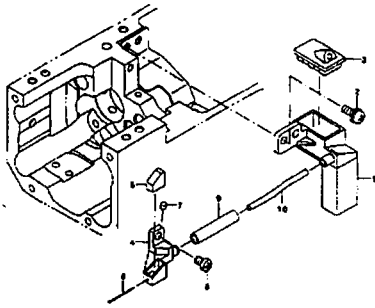
#01... FOR MF-7800-R10
#02... FOR MF-7800-R10

REF. NO	NOTE	PART NO.	DESCRIPTION	QTY
1		TA-0850604-R0	RUBBER PLUG	3
2		107-52300	STROOP PLATE RUBBER PLUG	1
3		TA-2010004-R0	RUBBER PLUG	1
4		SM-8000612-TP	SCREW M4 L=6	2
5		CM-1002001-R1	SAFETY LABEL 12	1
6		133-07002	TOP COVER	1
7		SM-4041055-SP	SCREW	8
8		107-52300	WINDOW PLATE RUBBER PLUG	1
9		RD-1952401-00	RUBBER RING	1
10		220-24700	OVER SIGHT WINDOW	1
11		133-00801	GASKET I	1
12		133-01100	PULLER DRIVE COVER	1
13		SM-6000600-SP	SCREW M4 L=6	6
14		133-01205	GASKET P	1
15		133-01727	SIDE COVER ASSY	1
16		134-01300	CYLINDER COVER	(1)
17		134-01807	CYLINDER COVER PLATE	(1)
18		SM-4040055-SP	SCREW M4 L=6	(2)
19		134-01708	SIDE COVER	(1)
20		134-01905	LATCH SPRING 2	(1)
21		SM-4040055-SP	SCREW M4 L=6	1
22		PL-0030252-CJ	PARALLEL PIN	(2)
23		SM-8040300-TP	SCREW	(2)
24		RD-0371801-00	RUBBER RING	(2)
25		134-01800	GASKET	1
26		SM-4041055-SP	SCREW	1
27		134-00650	ASSY TP SUPPORT	4
28		134-00001	THROAT PLATE SUPPORT	1
29		133-01908	DOVEL PIN	(1)
30		133-02300	DOVEL PIN 2	(1)
31		230-30007	TOBE	(1)
32		134-01407	SLIDE COVER SUPPORT	60.0(1)
33		SM-4030855-SP	SCREW	(2)
34		134-03605	RUBBER PLATE	(1)
35		133-02303	SCREW	2
36		SM-4040855-SP	SCREW	3
37		134-00700	RED TOP COVER	1
38		134-00800	GASKET B	1
39		SM-8040070-SP	SCREW	1
40		134-02300	HIPPER PLATE	1
41		134-02805	SPRING	1
42		134-02400	WIPPER SPRING PLATE	2
43		133-26202	SHOULDER SPRING	1
44		134-02903	LATCH SPRING	1
45		SM-1040850-SP	SCREW	0
46		134-01105	CLOTH PLATE ASSY	1
47		134-01302	CLOTH PLATE REAR	(1)
48		134-02101	TRD CRIDE	(1)
49		RD-0100402-R0	SPRING PIN L.SX 4	(1)
50		134-01801	SLIP COVER	(1)
51		SM-4041055-SP	SCREW	3
52		134-02200	LOOPER THD WIDE	1
53		SM-4040055-SP	SCREW M4 L=6	1

REF. NO	NOTE	PART NO.	DESCRIPTION	QTY
1		133-07004	UPPER MAINSHAFT BUSH	1
2		134-06400	UPPER PULLEY	1
3		SM-8001212-TP	SCREW M3X12	2
4		133-07251	BEARING ASSY A	1
5		SM-8000842-TP	SCREW M3 L=6	(1)
6		SM-0050012-TP	SCREW M3 L=6	(1)
7		133-07301	BUSH SPLICULET	1
8		SM-8000912-TP	SCREW M3 L=6	4
9		133-07450	BEARING ASSY B	1
10		SM-8000122-TP	SCREW M3 L=6	(2)
11		133-07500	JOINT	1
12		SM-8000012-TP	SCREW M3 L=6	4
13		133-07607	UNCL. INT. BUSH ASSY	1
14		133-24108	SCREW	(4)
15		SM-8001402-TP	SCREW M3 L=14	(3)
16		133-07808	UPPER MAINSHAFT LEFT	(1)
17		133-24000	ROD	(1)
18		133-24207	CRANK	(1)
19		SM-1200010-00	BEARING	(1)
20		SM-0000350-TP	SCREW M3 L=6	1
21		SM-8000122-TP	SCREW M3 L=6	1
22		133-07707	COUNTER WEIGHT	1
23		133-00200	SCREW PIN COUNTERWEIGHT	1
24		SM-8000812-TP	SCREW M3 L=6	1
25		SM-0001200-SP	SCREW	1
26		134-08300	BALANCE WEIGHT BUSH	1
27		SM-0000012-TP	SCREW M3 L=6	2
28		134-08600	YINING BELT	1
29		134-07101	LOWER MAINSHAFT RIGHT	1
30		134-09702	LOWER PULLEY	1
31		SM-8001212-TP	SCREW M3 L=6	2
32		133-00158	BEARING ASSY F	1
33		SM-8000842-TP	SCREW M3 L=6	(1)
34		SM-0000012-TP	SCREW M3 L=6	(1)
35		134-09000	LMS PAN	(1)
36		PS-0000622-R1	SPRING PIN	(1)
37		134-08300	LMS SPLICULET	1
38		SM-8000812-TP	SCREW M3 L=6	4
39		134-07457	BEARING ASSY F	1
40		SM-8000012-TP	SCREW M3 L=6	(2)
41		134-08400	BALANCE WEIGHT LMS_1	1
42		SM-0000012-TP	SCREW	1
43		134-08305	BALANCE WEIGHT LMS_2	1
44		SM-0000012-TP	SCREW	1
45		134-07507	JOINT LEAK	1
46		SM-8000552-TP	SCREW M3 L=6	2
47		SM-8000842-TP	SCREW M3 L=6	3
48		SM-8000552-TP	SCREW M3 L=6	2
49		SM-1100023-00	BEARING	1
50		134-07220	CRANK JOINT ROD ASSY	1
51		134-24108	SCREW	(2)
52		SM-8000042-TP	SCREW M3 L=6	1
53		SM-8000552-TP	SCREW M3 L=6	1
54		SM-0510002-R1	SPRING WASHER 5.1X6.2X1.3	(1)
55		SM-0510002-SP	SCREW	(1)
56		133-07200	CRANK JOINT	(1)
57		134-24205	ROD	(1)
58		134-07705	CRANK	(1)
59		134-07705	BEARING LMS W/SHOLE	(1)
60		133-08703	COLLETER	1
61		134-07804	BEARING LMS LEFT	1
62		134-07903	CIL SEAL	1
63		134-08504	PELL LMS LEFT BRSD	1
64		PS-0100122-R1	SPRING PIN X12	1
65		134-08500	COVER LMS W/SHOLE	1
66	#01	133-07400	SCREW	1
67	#01	133-00307	HOUSING B	1
68	#01	133-09400	HOUSING C	1
69		SM-8550002-TP	SCREW	1
70		134-07600	LOWER MAINSHAFT LEFT	1
71		SM-8000412-TP	SCREW M3 L=4	1
72		SM-081514-TP	C-RING	1
73		SM-081514-TP	C-RING	1

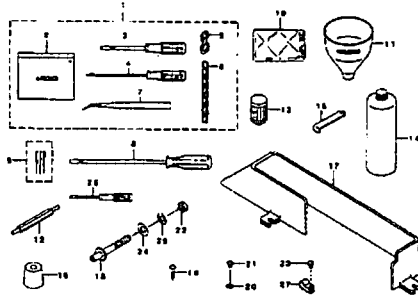
#01... SELECTIVE PARTS

NEEDLE COOLING MECHANISM COMPONENTS



P.NO	NOTE	PART NO.	DESCRIPTION	QTY
1		134-20055	SILICONE OIL TANK ASSY	1
2		SL-4041081-SC	SCREW M4 L*10	2
3		134-20105	SILICONE OIL TANK CAP	1
4		134-20204	SILICONE OIL CUP	1
5		134-20203	FELT	1
6		118-58103	NEEDLE COOLER PIN	1
7		TA-9290301-RO	PLUG	1
8		SH-4040555-SP	SCREW M4 L*5	1
9		BT-0000402-EA	OIL TRIBE	0.03
0		CO-3030000-00	OIL VICE	0.1

17.ACCESSORIES PARTS COMPONENTS



REF.NO	NOTE	PART NO.	DESCRIPTION	QTY
1		400-13015	ACCESSORY BAG ASSY	1
2		229-32900	ACCESSORY BAG	(1)
3		229-33105	SCREW DRIVER M/DH/LF	(1)
4		123-47304	SCREW DRIVER (SMALL)	(1)
5		191-60304	S STRIPPED BURY	(2)
6		200-37903	CHAIN	(1)
7		122-84403	IMPETERS	(1)
8		229-33006	SCREW DRIVER LARGE	1
9		NOV-12M1003	NEEDLES(PACKAGE_DF_3)	1
10		229-33303	VIBRY COVER	1
11		131-60607	FURREL	1
12		133-00302	SYNTHETIC/REP. SPIN ASSY	1
13		131-42500	CARTRIDGE FILTER	1
14		KK-018900CA	JUFI WASHING OIL 10	1
15		BLD11-420-ROD	CRIBER	1
16		131-65305	DELT-PROOF BURDEN	1
17		134-20700	DELT COVER	1
18		133-69800	PIN FOR RUBBER CUSHION	1
19		SE-3012901-SE	WOOD SCREW DIA.1 L*20	2
20		BT-0010202-ER	WASHER #4	1
21		SH-4040501-SB	SCREW RAZO.7 L*5	1
22		SH-4040503-SC	SWT #0	1
23		SH-4040505-SP	SCREW M4 L*5	1
24		VF-0451210-SC	WASHER # 6.2X10.0X1.2	4
25		TA-9290202-ER	STERILE WASHER #4	1
26		229-33304	SCREW DRIVER SMALL	1
27		BT-0015000-0C	CABLE ERIP	1

JUKI CORPORATION
 INTERNATIONAL SALES H.Q.
 5-2-1, KOKURYO-CHO, CHOFU-SHI
 TOKYO 182-8655, JAPAN

PHONE : (81)3-3430-4001 to 4005
 FAX : (81)3-3430-4909-4914-4984
 TELEX : J22967

Copyright © 2004 JUKI CORP.
 All rights reserved throughout the world.
 Printed in China